

and on Rough Terrain....



FEATURES:

- 3 wheel manoeuvrability
- Hydrostatic all wheel drive
- Large tractor grip tyres
- Deep suspension seat
- Back up alarm
- 150 mm / 6" mast side shift
- Pivot Forks

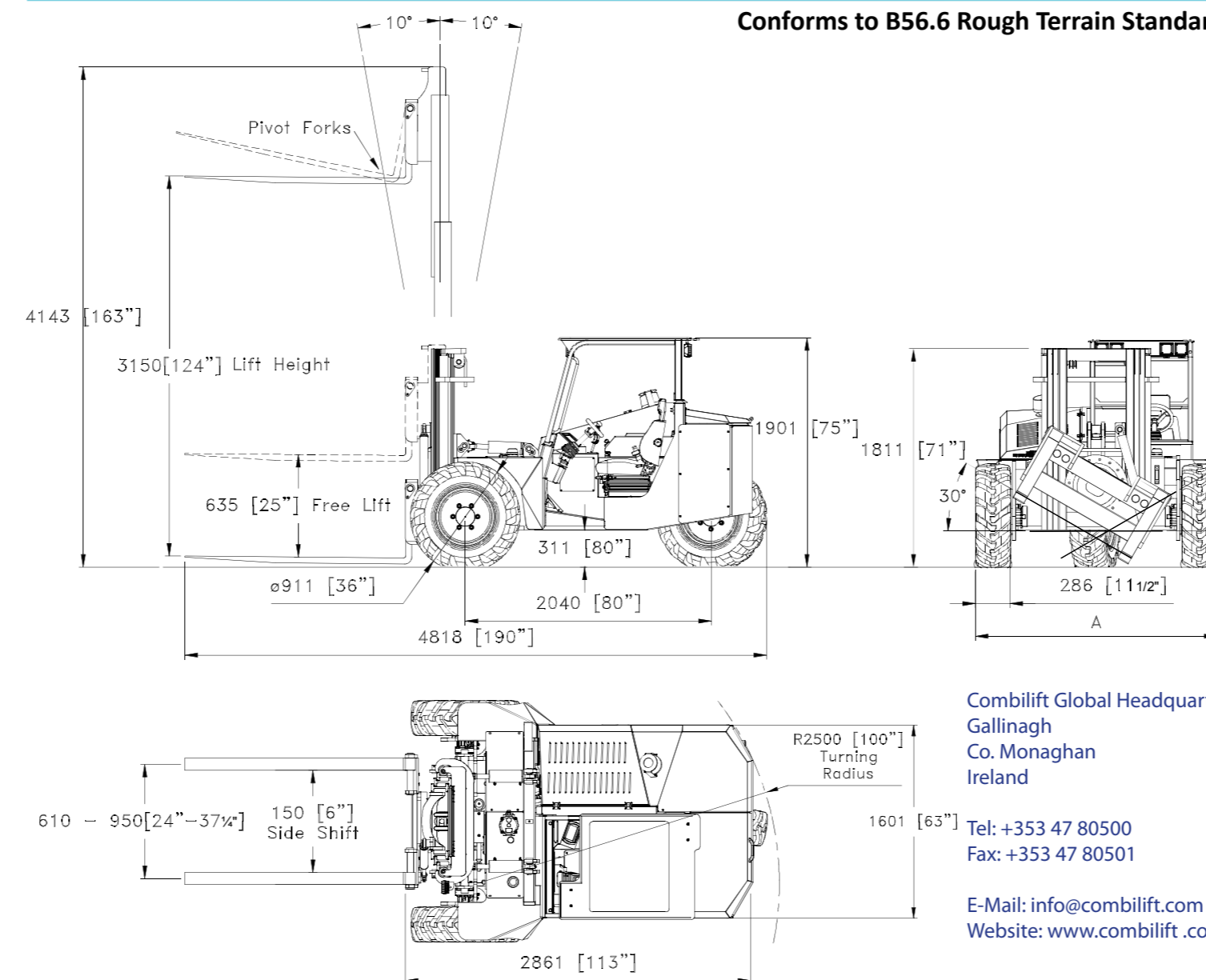
BENEFITS:

- Small turning radius
- Reduced maintenance costs
- No mechanical brakes to adjust or replace
- Large ground clearance
- Diff-lock
- Offset driving position gives excellent visibility
- Ergonomically designed cabin for operator comfort

DESCRIPTION	Kubota 44 kW	Kubota 74kW / 99 Hp	
Capacity	1,500 kg @ 1,200mm	1,600 kg @ 1,200mm	3,500 lbs. @ 48"
Unladen Weight	4,450 kg	4,650 kg	10,250 lbs.
Ground Speed	14 km/h	18 km/h	11 mph
Gradeability	40%	40%	
Kubota Water Cooled Diesel Engine	44 kW	74 kW	99 Hp
A = Overall Width	1,800mm	2,000mm	78 ¾"
Electrics	12 Volt	12 Volt	12 Volt
Triplex Mast Lift Height	3150mm	3150mm	124"
Pivot Fork Section	50 x 100 x 1830mm	50 x 100 x 1830mm	2 x 4 x 72"
Fork Rotation	30° each way		
Pneumatic Tractor Grip Tyres	ø 910mm width 290mm	ø 910mm width 290mm	ø 36" width 11 ½"
Fuel Tank Capacity	85 litres	85 litres	22 Gallons
Hydraulic Tank Capacity	75 litres	75 litres	20 Gallons

3 Wheel Hydrostatic Drive with Diff Lock

Conforms to B56.6 Rough Terrain Standards



Combilift Global Headquarters
Gallinagh
Co. Monaghan
Ireland
Tel: +353 47 80500
Fax: +353 47 80501
E-Mail: info@combilift.com
Website: www.combilift.com



COMBiLiFT

Combi-RT for your Poultry & Agri needs



Combilift has a policy of continuous product development and reserves the right to alter specifications without prior notice. Specifications and/or dimensions may vary from those illustrated in some countries.

The Solution to your Poultry Collection Problems...



Features & Options



Removal Feather Protection Mesh



Integrated 30° Rotator Option



Pressurized Cabin



Fully Enclosed Cab Option



LCD Display, IP68 Controls



Easy to Transport

Combi-LR Live Receiving Combilift Model



FEATURES:

- 3 Wheel Manoeuvrability
- Fully Hydrostatic Drive
- Traction- All Wheel Drive
- Solid/Soft Tyres
- Fully Enclosed Spacious Cab
- Deep Suspension Seat
- Back Up Alarm
- 200mm / 8" Side Shift

BENEFITS:

- Small Turning Radius
- Operates Indoor And Outdoor
- Reduced Maintenance Costs
- No Mechanical Brakes To Adjust Or Replace
- Minimised Tyre Spin
- Offset Driving Position Gives Excellent Visibility